

s:\projects\panoramic doors\fbc-23-0743 - fbc submittal - aluminum doors.method.1d.conversion\dwg\pad008.dwg 8/14/2023 9:32 AM

# PANORAMIC DOORS

## CHAMBERLIN XL SERIES FOLDING DOOR (NON-HVHZ) (NON-IMPACT)



15050 FRYE ROAD  
FORT WORTH, TX 76155  
PH: (817) 952-3500

**GENERAL NOTES:**

1. THE PRODUCT SHOWN HEREIN IS DESIGNED AND MANUFACTURED TO COMPLY WITH THE CURRENT EDITION FLORIDA BUILDING CODE (FBC) **EXCLUDING** HVHZ. ALL PRODUCTS UNDER THE SCOPE OF THIS DOCUMENT HAVE BEEN EVALUATED ACCORDING TO THE FOLLOWING:
  - ASTM E283-04(12)
  - ASTM E330-14
  - ASTM E547-00(16)
2. ADEQUACY OF THE EXISTING STRUCTURAL CONCRETE/MASONRY, 2X AND METAL STUD FRAMING AS A MAIN WIND FORCE RESISTING SYSTEM CAPABLE OF WITHSTANDING AND TRANSFERRING APPLIED PRODUCT LOADS TO THE FOUNDATION IS THE RESPONSIBILITY OF THE ENGINEER OR ARCHITECT OF RECORD FOR THE PROJECT OF INSTALLATION.
3. 1X AND 2X BUCKS (WHEN USED) SHALL BE DESIGNED AND ANCHORED TO PROPERLY TRANSFER ALL LOADS TO THE STRUCTURE. BUCK DESIGN AND INSTALLATION IS THE RESPONSIBILITY OF THE ENGINEER OR ARCHITECT OF RECORD FOR THE PROJECT OF INSTALLATION.
4. INSTALL INDIVIDUAL INSTALLATION ANCHORS WITHIN A TOLERANCE OF ±1/4 INCH OF THE DEPICTED LOCATION IN THE ANCHOR LAYOUT DETAIL (I.E., WITHOUT CONSIDERATION OF TOLERANCES). TOLERANCES ARE NOT CUMULATIVE FROM ONE INSTALLATION ANCHOR TO THE NEXT.
5. THE INSTALLATION DETAILS DESCRIBED HEREIN ARE GENERIC AND MAY NOT REFLECT ACTUAL CONDITIONS FOR A SPECIFIC SITE. IF SITE CONDITIONS CAUSE INSTALLATION TO DEVIATE FROM THE REQUIREMENTS DETAILED HEREIN, A LICENSED ENGINEER OR ARCHITECT SHALL PREPARE SITE SPECIFIC DOCUMENTS FOR USE WITH THIS DOCUMENT.
6. APPROVED IMPACT PROTECTIVE SYSTEM **IS REQUIRED** TO PROTECT THIS PRODUCT IN AREAS REQUIRING IMPACT RESISTANCE.
7. FRAME MATERIAL: ALUMINUM 6063-T6.
8. GLASS SHALL MEET THE REQUIREMENTS OF ASTM E 1300 GLASS CHARTS. SEE SHEET 1 FOR GLAZING DETAIL.

TABLE OF CONTENTS	
SHEET	SHEET DESCRIPTION
1	GENERAL NOTES AND GLAZING DETAILS
2	TYPICAL ELEVATION, QUALIFIED CONFIGURATIONS, AND DESIGN PRESSURE TABLE
3	ANCHOR LAYOUT
4	VERTICAL SECTIONS
5	HORIZONTAL SECTIONS
6	INSTALLATION NOTES AND DETAILS

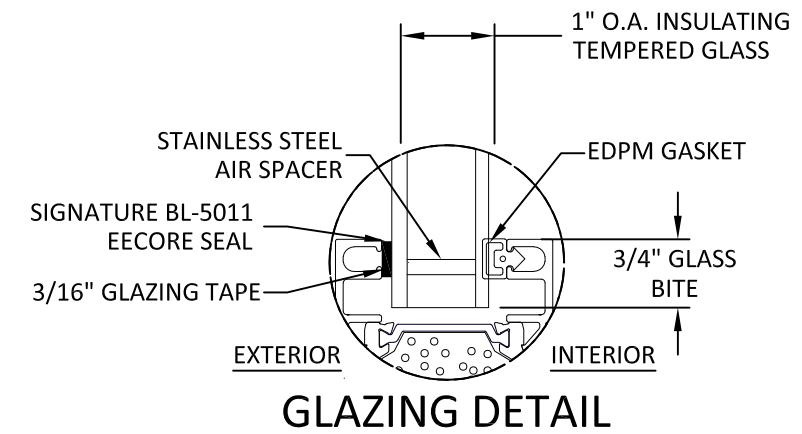
DESIGN PRESSURE RATING		
PANEL SIZE	DESIGN PRESSURE	MISSILE RATING
SEE SHEET 3		NON-IMPACT

TITLE: CHAMBERLIN XL SERIES FOLDING DOOR (NON-HVHZ) (NON-IMPACT) GENERAL NOTES & GLAZING DETAIL

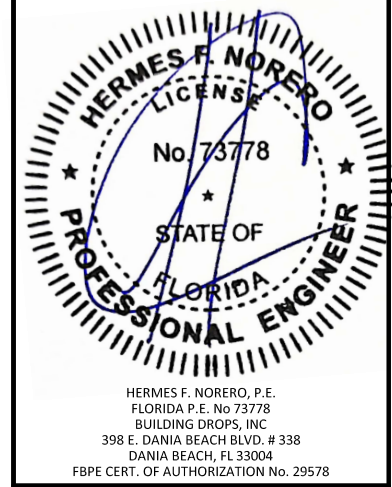
PREPARED BY: BUILDING DROPS, INC.  
398 E. DANIA BEACH BLVD., STE. 338  
DANIA BEACH, FL 33004  
PH: (954) 399-8478  
FAX: (954) 744-4738  
WEB: www.buildingdrops.com

REMARKS	BY	DATE

THE INSTALLATION DETAILS DESCRIBED HEREIN ARE GENERIC AND MAY NOT REFLECT ACTUAL CONDITIONS FOR A SPECIFIC SITE. IF SITE CONDITIONS CAUSE INSTALLATION TO DEVIATE FROM THE REQUIREMENTS DETAILED HEREIN, A LICENSED ENGINEER OR ARCHITECT SHALL PREPARE SITE SPECIFIC DOCUMENTS FOR USE WITH THIS DOCUMENT.



- GLAZING NOTES:**
1. GLASS TYPE & THICKNESS SHALL COMPLY WITH ASTM E1300 REQUIREMENTS AS WELL AS APPLICABLE SAFETY GLAZING REQUIREMENTS PER THE FBC. TEMPER AND SAFETY GLAZING REQUIREMENTS SHALL BE REVIEWED ON A SITE SPECIFIC BASIS.
  2. SETTING BLOCK DUROMETER HARDNESS OF 70-90 (SHORE A) AS REFERENCED IN FBC CHAPTER 24.
  3. SETTING BLOCKS TO BE LOCATED AT 1/4 SPAN LENGTH FOR GLASS WIDER THAN 36" AS PER FBC CHAPTER 24.
  4. D.L.O. AND DESIGN PRESSURES MAY NOT EXCEED MAX VALUES IN SHEETS 1 & 2.



FL #: **FL42297**

DATE: **08.08.2023**

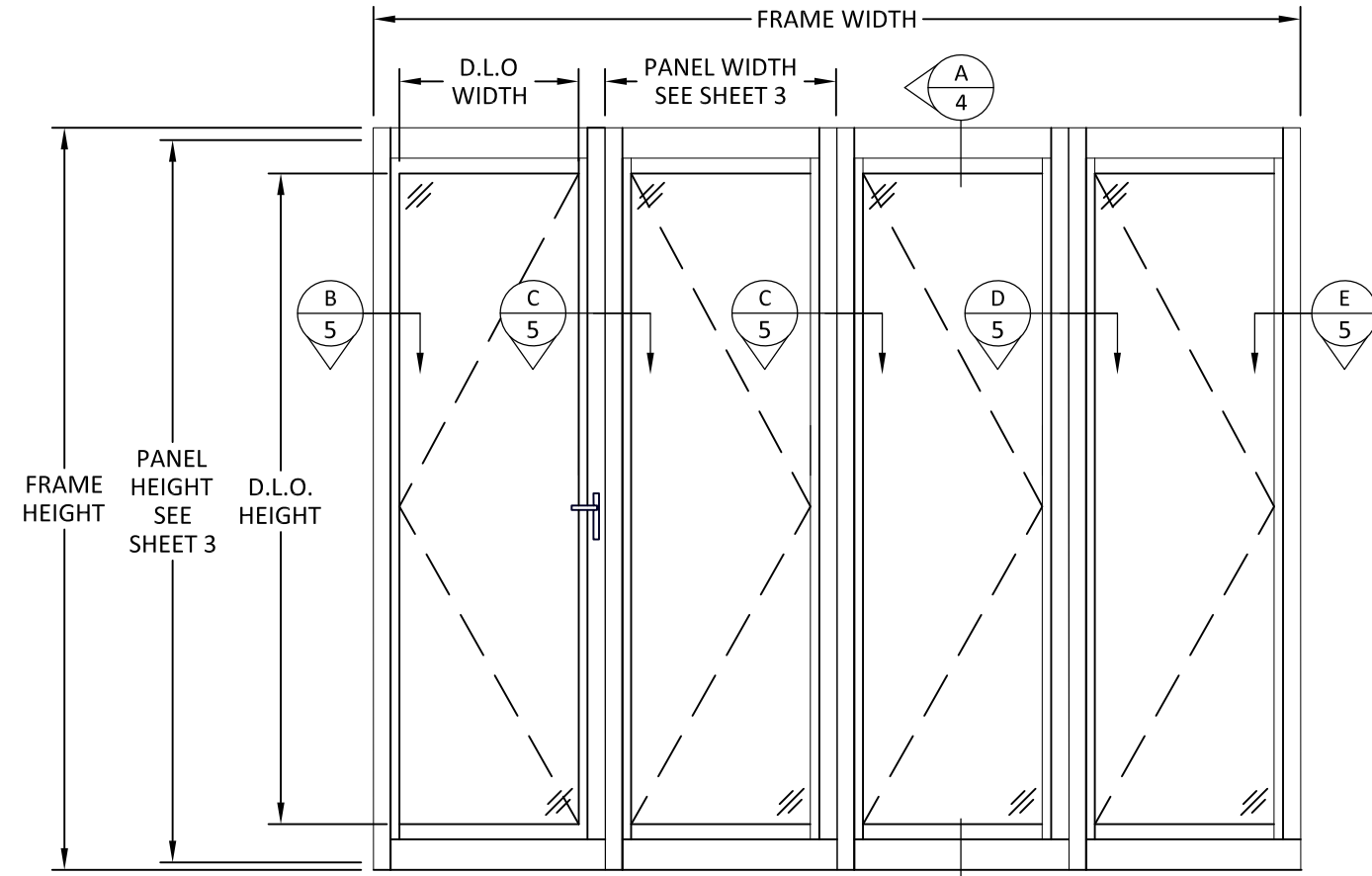
DWG. BY: **MS**      CHK. BY: **HFN**

SCALE: **NTS**

DWG. #: **PAD008**

SHEET: **1**

OF 6



**TYPICAL ELEVATION**

$FRAME\ WIDTH = (PANEL\ QTY.) * (PANEL\ WIDTH + 0.225") + 5.1"$   
 $FRAME\ HEIGHT = PANEL\ HEIGHT + 3.25"$   
 $D.L.O.\ WIDTH = PANEL\ WIDTH - 6.5625"$   
 $D.L.O.\ HEIGHT = PANEL\ HEIGHT - 6.75"$

COASTAL STORM DOOR CONFIGURATION TABLE										
PANEL QUANTITY	QUALIFIED CONFIGURATIONS									
	2	1L1R	2L	2R	-	-	-	-	-	-
3	1L2R	2L1R	3L	3R	-	-	-	-	-	-
4	1L3R	2L2R	3L1R	4L	4R	-	-	-	-	-
5	1L4R	2L3R	3L2R	4L1R	5L	5R	-	-	-	-
6	1L5R	2L4R	3L3R	4L2R	5L1R	6L	6R	-	-	-
7	1L6R	2L5R	3L4R	4L3R	5L2R	6L1R	7L	7R	-	-
8	1L7R	2L6R	3L5R	4L4R	5L3R	6L2R	7L1R	8L	8R	-
9	1L8R	2L7R	3L6R	4L5R	5L4R	6L3R	7L2R	8L1R	-	-
10	2L8R	3L7R	4L6R	5L5R	6L4R	7L3R	8L2R	-	-	-
11	3L8R	4L7R	5L6R	6L5R	7L4R	8L3R	-	-	-	-
12	4L8R	5L7R	6L6R	7L5R	8L4R	-	-	-	-	-
13	5L8R	6L7R	7L6R	8L5R	-	-	-	-	-	-
14	6L8R	7L7R	8L6R	-	-	-	-	-	-	-
15	7L8R	8L7R	-	-	-	-	-	-	-	-
16	8L8R	-	-	-	-	-	-	-	-	-

COASTAL STORM DOOR DESIGN PRESSURE TABLE (+/- PSF)											
DOOR PANEL HEIGHT (IN.)	PANEL QUANTITY	DOOR PANEL WIDTH (IN.)									
		24	27	30	33	36	39	42	45	48	51
78	2	50.00	50.00	50.00	50.00	50.00	50.00	50.00	50.00	49.73	46.37
84	3	50.00	50.00	50.00	50.00	50.00	50.00	50.00	50.00	49.73	-
90	4	50.00	50.00	50.00	50.00	50.00	50.00	50.00	50.00	-	-
96	5	50.00	50.00	50.00	50.00	50.00	50.00	50.00	-	-	-
102	6	50.00	50.00	50.00	50.00	50.00	50.00	-	-	-	-
108	7	50.00	50.00	50.00	50.00	50.00	-	-	-	-	-
114	8	50.00	50.00	50.00	50.00	50.00	-	-	-	-	-
116.75	9	50.00	50.00	50.00	50.00	50.00	-	-	-	-	-
120	10	50.00	50.00	50.00	49.84	-	-	-	-	-	-
126	11	50.00	50.00	46.99	42.93	-	-	-	-	-	-
132	12	50.00	45.14	40.79	-	-	-	-	-	-	-
138	13	44.24	39.45	35.63	-	-	-	-	-	-	-
144	14	38.90	34.68	31.31	-	-	-	-	-	-	-



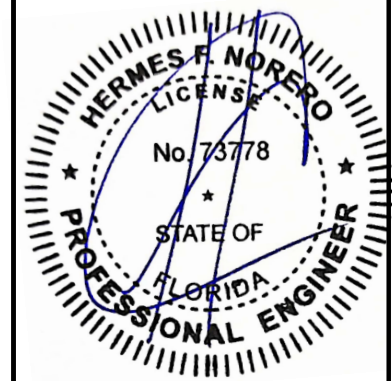
15050 FRYE ROAD  
FORT WORTH, TX 76155  
PH: (817) 952-3500

**TITLE:** CHAMBERLIN XL SERIES FOLDING DOOR (NON-HVHZ) (NON-IMPACT) TYPICAL ELEVATION, QUALIFIED CONFIGURATIONS, & DP TABLE  
**PREPARED BY:** BUILDING DROPS, INC.  
 398 E. DANIA BEACH BLVD., STE. 338  
 DANIA BEACH, FL 33004  
 PH: (954) 399-8478  
 FAX: (954) 744-4738  
 WEB: www.buildingdrops.com



REMARKS	BY	DATE

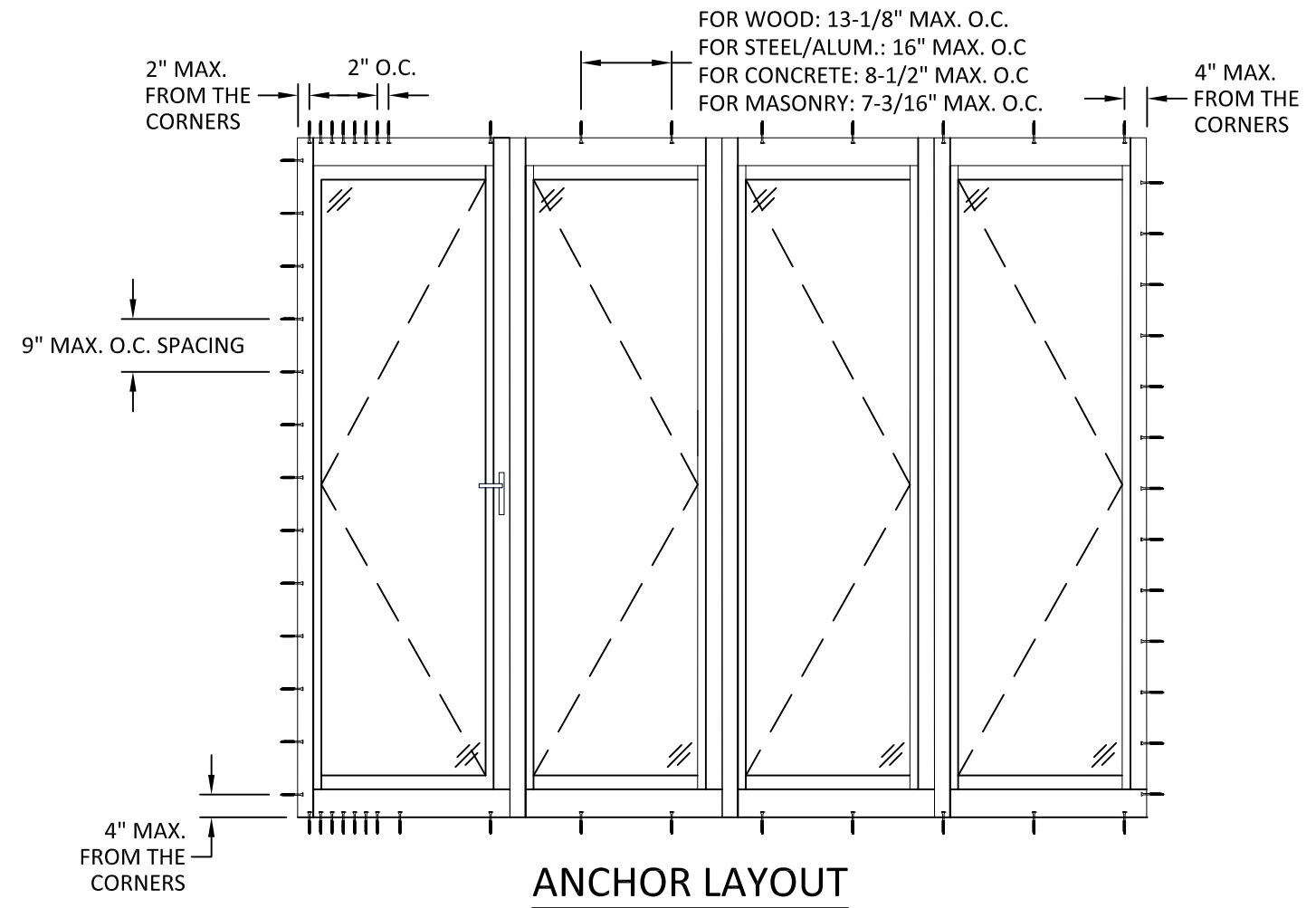
THE INSTALLATION DETAILS DESCRIBED HEREIN ARE GENERIC AND MAY NOT REFLECT ACTUAL CONDITIONS FOR A SPECIFIC SITE. IF SITE CONDITIONS CAUSE INSTALLATION TO DEVIATE FROM THE REQUIREMENTS DETAILED HEREIN, A LICENSED ENGINEER OR ARCHITECT SHALL PREPARE SITE SPECIFIC DOCUMENTS FOR USE WITH THIS DOCUMENT.



HERMES F. NORERO, P.E.  
FLORIDA P.E. No. 73778  
BUILDING DROPS, INC.  
398 E. DANIA BEACH BLVD. # 338  
DANIA BEACH, FL 33004  
FBPE CERT. OF AUTHORIZATION No. 29578

**FL #:** FL42297  
**DATE:** 08.08.2023  
**DWG. BY:** MS  
**CHK. BY:** HFN  
**SCALE:** NTS  
**DWG. #:** PAD008

**SHEET:** 2  
 OF 6



**ANCHOR LAYOUT**

NOTE:  
ANCHOR CLUSTER SHOWN IS REQUIRED  
AT PANEL STACKING LOCATION.



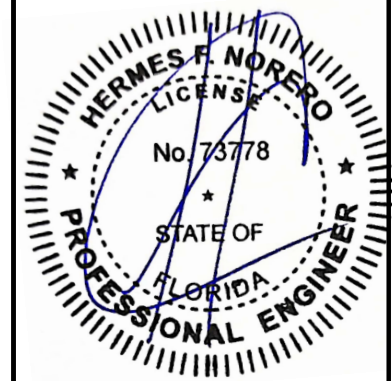
15050 FRYE ROAD  
FORT WORTH, TX 76155  
PH: (817) 952-3500

TITLE:  
CHAMBERLIN XL SERIES  
FOLDING DOOR  
(NON-HVHZ) (NON-IMPACT)  
ANCHOR LAYOUT

PREPARED BY:  
**BD**  
BUILDING DROPS  
BUILDING DROPS, INC.  
398 E. DANIA BEACH BLVD., STE. 338  
DANIA BEACH, FL 33004  
PH: (954) 369-8478  
FAX: (954) 744-4738  
WEB: www.buildingdrops.com

REMARKS	BY	DATE

THE INSTALLATION DETAILS DESCRIBED HEREIN ARE GENERIC AND MAY NOT REFLECT ACTUAL CONDITIONS FOR A SPECIFIC SITE. IF SITE CONDITIONS CAUSE INSTALLATION TO DEVIATE FROM THE REQUIREMENTS DETAILED HEREIN, A LICENSED ENGINEER OR ARCHITECT SHALL PREPARE SITE SPECIFIC DOCUMENTS FOR USE WITH THIS DOCUMENT.

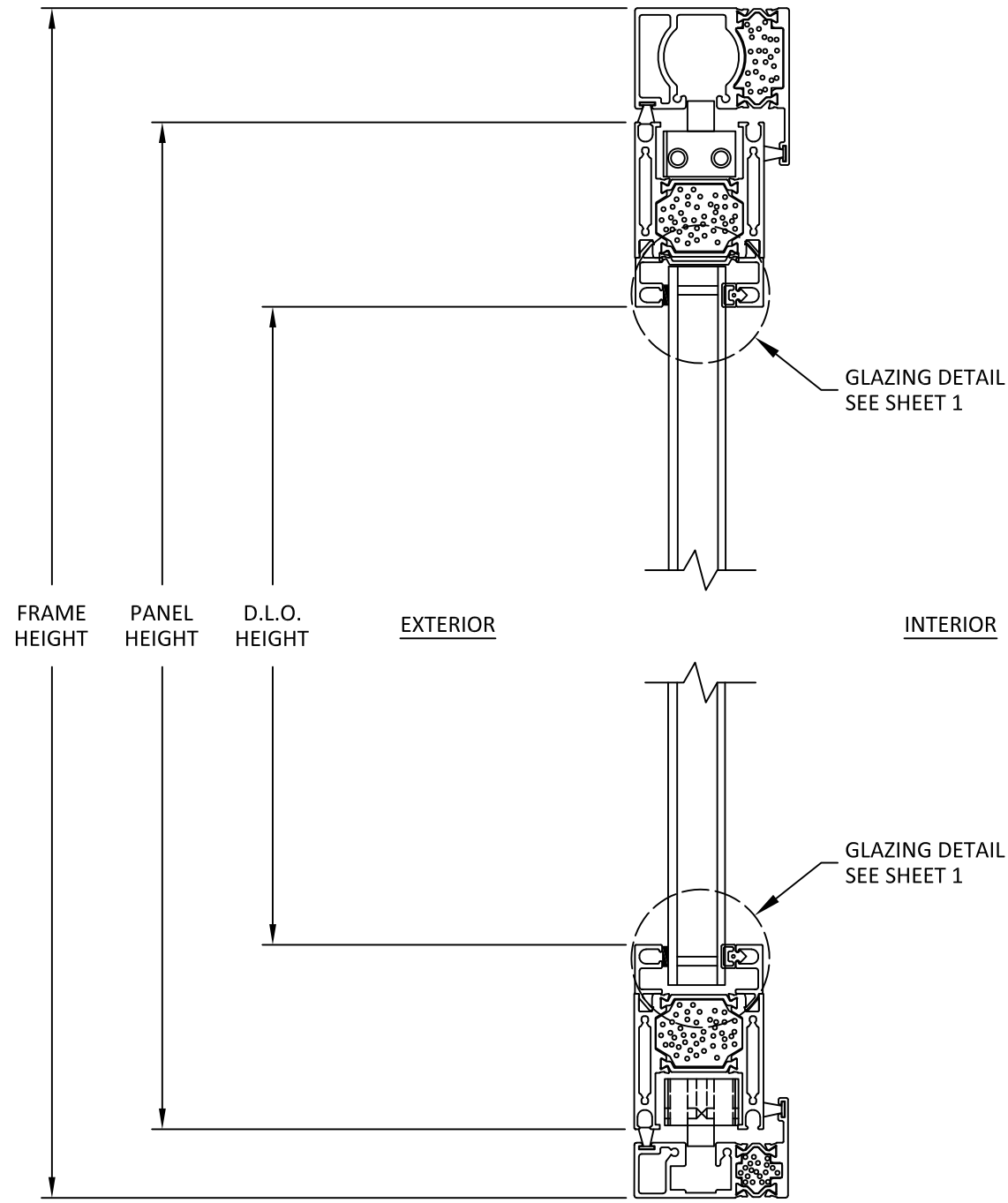


HERMES F. NORERO, P.E.  
FLORIDA P.E. No. 73778  
BUILDING DROPS, INC.  
398 E. DANIA BEACH BLVD. # 338  
DANIA BEACH, FL 33004  
FBPE CERT. OF AUTHORIZATION No. 29578

FL #:	<b>FL42297</b>
DATE:	<b>08.08.2023</b>
DWG. BY:	<b>MS</b>
CHK. BY:	<b>HFN</b>
SCALE:	<b>NTS</b>
DWG. #:	<b>PAD008</b>

SHEET:  
**3**

s:\projects\panoramic doors\fbc-23-0743 - fbc submittal - aluminum doors method 1.d conversion\dwgs\pad008.dwg 8/14/2023 9:32 AM



**A**  
**3** VERTICAL SECTION  
CHAMBERLIN XL SERIES FOLDING DOOR



15050 FRYE ROAD  
FORT WORTH, TX 76155  
PH: (817) 952-3500

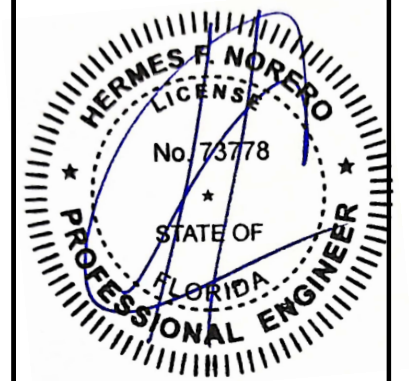
**TITLE:** CHAMBERLIN XL SERIES FOLDING DOOR (NON-HVHZ) (NON-IMPACT) VERTICAL SECTION

**PREPARED BY:** BUILDING DROPS, INC.  
398 E. DANIA BEACH BLVD., STE. 338  
DANIA BEACH, FL 33004  
PH: (954) 369-8478  
FAX: (954) 744-4738  
WEB: www.buildingdrops.com



REMARKS	BY	DATE

THE INSTALLATION DETAILS DESCRIBED HEREIN ARE GENERIC AND MAY NOT REFLECT ACTUAL CONDITIONS FOR A SPECIFIC SITE. IF SITE CONDITIONS CAUSE INSTALLATION TO DEVIATE FROM THE REQUIREMENTS DETAILED HEREIN, A LICENSED ENGINEER OR ARCHITECT SHALL PREPARE SITE SPECIFIC DOCUMENTS FOR USE WITH THIS DOCUMENT.



HERMES F. NORERO, P.E.  
FLORIDA P.E. No. 73778  
BUILDING DROPS, INC.  
398 E. DANIA BEACH BLVD. # 338  
DANIA BEACH, FL 33004  
FBPE CERT. OF AUTHORIZATION No. 29578

FL #: **FL42297**

DATE: **08.08.2023**

DWG. BY: **MS**      CHK. BY: **HFN**

SCALE: **NTS**

DWG. #: **PAD008**

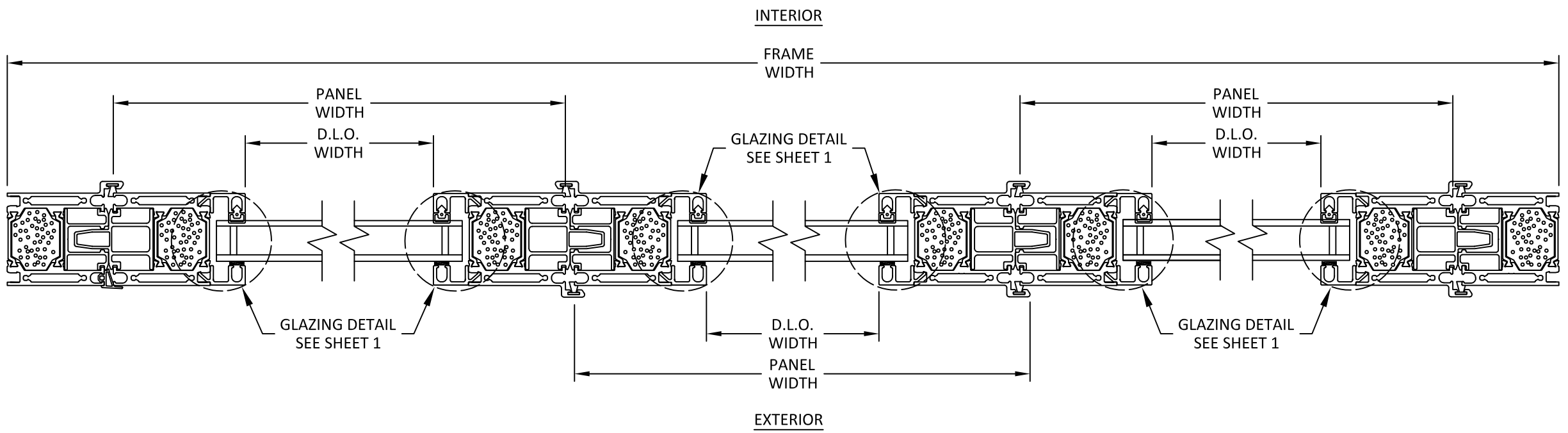
SHEET:



15050 FRYE ROAD  
FORT WORTH, TX 76155  
PH: (817) 952-3500

TITLE:  
CHAMBERLIN XL SERIES  
FOLDING DOOR  
(NON-HVHZ) (NON-IMPACT)  
HORIZONTAL SECTIONS

PREPARED BY:  
BUILDING DROPS, INC.  
398 E. DANIA BEACH BLVD., STE. 338  
DANIA BEACH, FL 33004  
PH: (954) 399-8278  
FAX: (954) 744-4738  
WEB: www.buildingdrops.com



**B**  
**5** HORIZONTAL SECTION  
JAMB

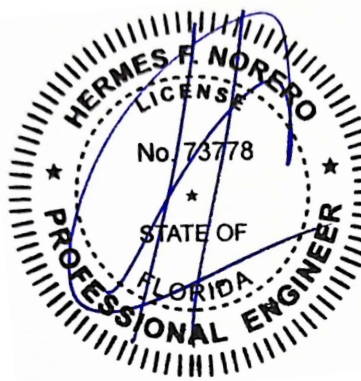
**C**  
**5** HORIZONTAL SECTION  
MEETING STILE

**D**  
**5** HORIZONTAL SECTION  
INTERMEDIATE STILE

**E**  
**5** HORIZONTAL SECTION  
JAMB

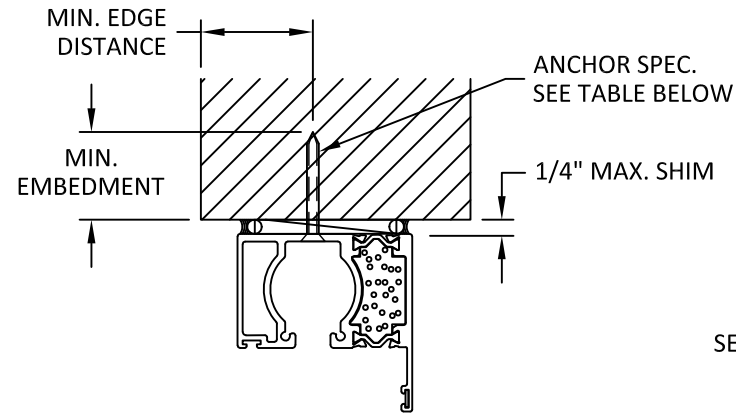
REMARKS	BY	DATE

THE INSTALLATION DETAILS DESCRIBED HEREIN ARE GENERIC AND MAY NOT REFLECT ACTUAL CONDITIONS FOR A SPECIFIC SITE. IF SITE CONDITIONS CAUSE INSTALLATION TO DEVIATE FROM THE REQUIREMENTS DETAILED HEREIN, A LICENSED ENGINEER OR ARCHITECT SHALL PREPARE SITE SPECIFIC DOCUMENTS FOR USE WITH THIS DOCUMENT.

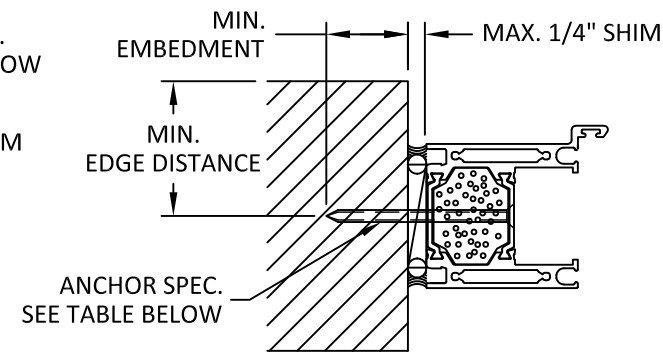


HERMES F. NORERO, P.E.  
FLORIDA P.E. No. 73778  
BUILDING DROPS, INC  
398 E. DANIA BEACH BLVD. # 338  
DANIA BEACH, FL 33004  
FBPE CERT. OF AUTHORIZATION No. 29578

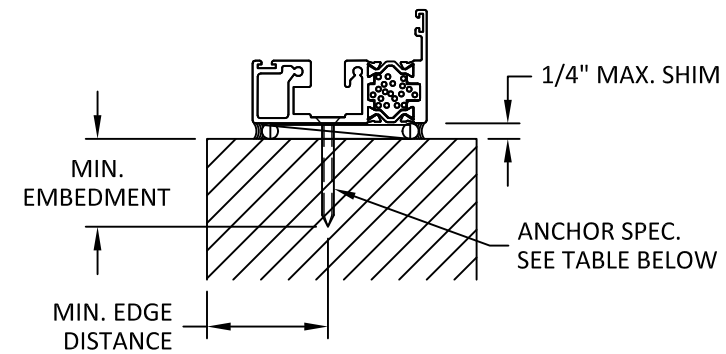
FL #:	<b>FL42297</b>
DATE:	<b>08.08.2023</b>
DWG. BY:	<b>MS</b>
CHK. BY:	<b>HFN</b>
SCALE:	<b>NTS</b>
DWG. #:	<b>PAD008</b>
SHEET:	<b>5</b>



**F**  
**6** INSTALLATION DETAILS  
HEAD



**G**  
**6** INSTALLATION DETAILS  
JAMB



**H**  
**6** INSTALLATION DETAILS  
SILL

**INSTALLATION NOTES:**

- ONE (1) INSTALLATION ANCHOR IS REQUIRED AT EACH ANCHOR LOCATION.
- THE NUMBER OF INSTALLATION ANCHORS DEPICTED IS THE MINIMUM NUMBER OF ANCHORS TO BE USED FOR PRODUCT INSTALLATION OF THE MAXIMUM SIZE LISTED.
- INSTALL INDIVIDUAL INSTALLATION ANCHORS WITHIN A TOLERANCE OF ±1/4 INCH THE DEPICTED LOCATION & SPACING IN THE ANCHOR LAYOUT DETAILS (I.E., WITHOUT CONSIDERATION OF TOLERANCES). TOLERANCES ARE NOT CUMULATIVE FROM ONE INSTALLATION ANCHOR TO THE NEXT.
- SHIM AS REQUIRED AT EACH INSTALLATION ANCHOR WITH LOAD BEARING SHIM(S). MAXIMUM ALLOWABLE SHIM STACK TO BE 1/4 INCH. SHIM WHERE SPACE OF 1/16 INCH OR GREATER OCCURS. SHIM(S) SHALL BE CONSTRUCTED OF HIGH DENSITY PLASTIC OR BETTER.
- FOR MASONRY OR CONCRETE OPENINGS, A 1X WOOD BUCK MAY BE USED (OPTIONAL) AS LONG AS THE MINIMUM EMBEDMENT AND EDGE DISTANCE REQUIREMENTS ARE STILL MET WITHIN THE CORRESPONDING HOST SUBSTRATE. SEE GENERAL NOTE #3 ON SHEET 1 FOR MORE INFORMATION.
- MINIMUM EMBEDMENT AND EDGE DISTANCE EXCLUDE WALL FINISHES, INCLUDING BUT NOT LIMITED TO STUCCO, FOAM, BRICK VENEER, AND SIDING.
- INSTALLATION ANCHORS AND ASSOCIATED HARDWARE MUST BE MADE OF CORROSION RESISTANT MATERIAL OR HAVE A CORROSION RESISTANT COATING.
- FOR HOLLOW BLOCK AND GROUT FILLED BLOCK, DO NOT INSTALL INSTALLATION ANCHORS INTO MORTAR JOINTS. EDGE DISTANCE IS MEASURED FROM FREE EDGE OF BLOCK OR EDGE OF MORTAR JOINT INTO FACE SHELL OF BLOCK.
- INSTALLATION ANCHORS SHALL BE INSTALLED IN ACCORDANCE WITH ANCHOR MANUFACTURER'S INSTALLATION INSTRUCTIONS, AND ANCHORS SHALL NOT BE USED IN SUBSTRATES WITH STRENGTHS LESS THAN THE MINIMUM STRENGTH SPECIFIED BY THE ANCHOR MANUFACTURER.

ANCHOR SCHEDULE				
METHOD	SUBSTRATE	ANCHOR TYPE	MIN. EMBEDMENT	MIN. EDGE DISTANCE
THROUGH FRAME	WOOD: MIN. S.G. = 0.55	#8 FH WOOD SCREW	1.5"	1"
	STEEL: MIN. 16 GA. MIN. Fy = 36 ksi	#8 GRADE 5 FH SELF-DRILLING/ SELF-TAPPING SCREW	3 THREADS MIN PENETRATION BEYOND METAL	0.5"
	ALUMINUM: MIN. 1/8" THICK MIN. 6063-T5			
	CONCRETE: MIN. f'c = 3000 psi	3/16" FH ITW TAPCON	1.5"	1.75"
	MASONRY: CMU per ASTM C90 MIN. 2000 PSI		1"	2"



15050 FRYE ROAD  
FORT WORTH, TX 76155  
PH: (817) 952-3500

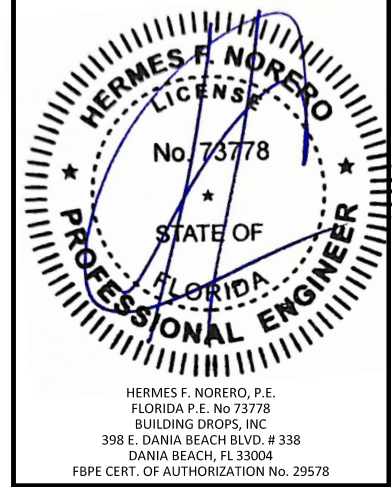
TITLE: CHAMBERLIN XL SERIES  
FOLDING DOOR  
(NON-HVHZ) (NON-IMPACT)  
INSTALLATION DETAILS & NOTES

PREPARED BY:  
**BD**  
BUILDING DROPS

BUILDING DROPS, INC.  
398 E. DANIA BEACH BLVD., STE. 338  
DANIA BEACH, FL 33004  
PH: (954) 399-8478  
FAX: (954) 744-4738  
WEB: www.buildingdrops.com

REMARKS	BY	DATE

THE INSTALLATION DETAILS DESCRIBED HEREIN ARE GENERIC AND MAY NOT REFLECT ACTUAL CONDITIONS FOR A SPECIFIC SITE. IF SITE CONDITIONS CAUSE INSTALLATION TO DEVIATE FROM THE REQUIREMENTS DETAILED HEREIN, A LICENSED ENGINEER OR ARCHITECT SHALL PREPARE SITE SPECIFIC DOCUMENTS FOR USE WITH THIS DOCUMENT.



FL #: **FL42297**

DATE: **08.08.2023**

DWG. BY: **MS**      CHK. BY: **HFN**

SCALE: **NTS**

DWG. #: **PAD008**

SHEET: **6**